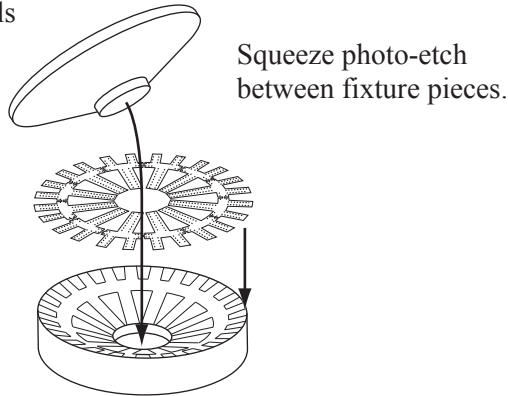


Carefully test fit parts before glueing or painting! Wash parts with warm soapy water before starting.
Avoid breathing dust created while sanding. Use Cyano-Acrylate (superglue) to glue parts.
Use care, the thin parts are brittle. Use hot water if you need to fix any warps. Have fun!

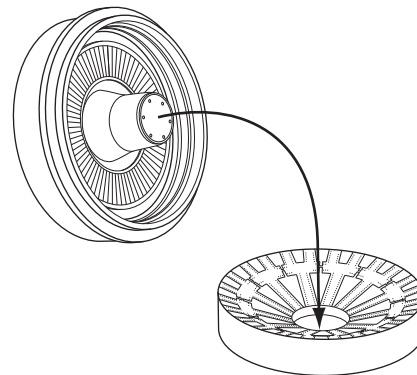
Test fit and paint the resin parts before using the photo-etch.
Use extreme care!
The photo-etch is very fragile!

Carefully trim away and discard center hub from photo-etch.
Place in lower fixture
with etched details
facing down.



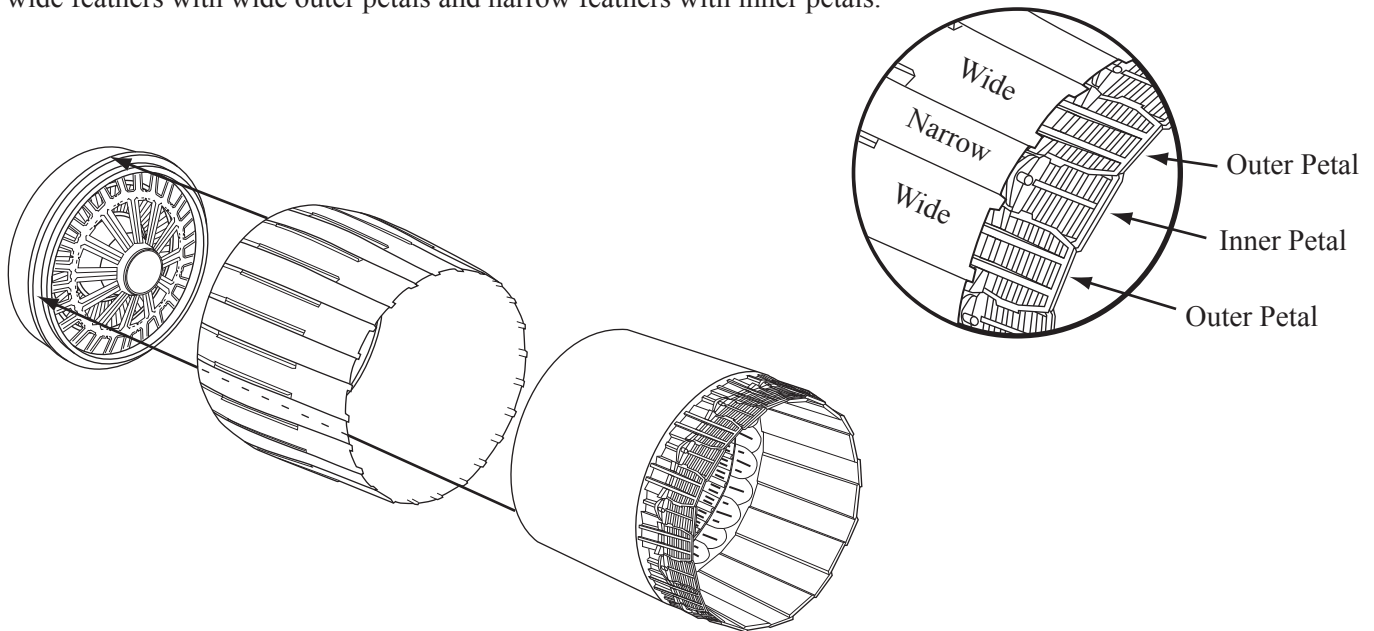
Use upper fixture to hold etch while painting.

Place turbine fan piece onto fixture with etch. Make sure
the etch is aligned and press. Remove the fixture.



Apply small drops of superglue to attach the etch to the
turbine fan piece.

Assemble tailcones per kit instructions.
Align wide feathers with wide outer petals and narrow feathers with inner petals.



Check out www.Aircraftresourcecenter.com for tips on building models.
Learn, teach and share pictures of your models in the discussion forum.
Find photos and reference materials in the discussion forum Research Corner.