

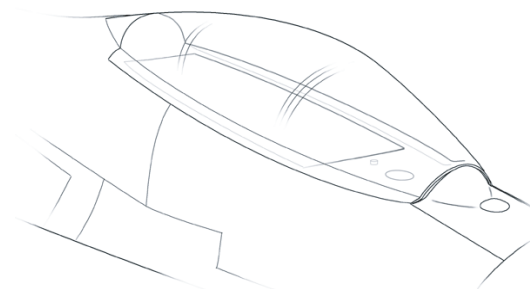
Caution: Contains small parts, do not eat !

Clean resin and photo-etch parts with soapy water before gluing or painting. Use Cyano-Acrylate (super glue) for resin and photo-etch.

To trim and separate the canopy: Use plastic tape as a cutting guide. Fill the canopy with clay or soft cloth to support it while cutting. Protect the outside with tape. Use a sharp hobby blade and score repeatedly, slowly increasing pressure with each pass (BE CAREFUL!). Wet sand edges smooth. Canopy can be clear coated with Future floor wax for a brilliant shine.

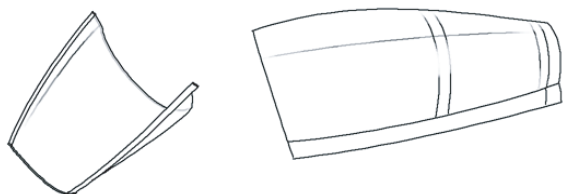
Check out [WWW.Aircraftresourcecenter.com](http://WWW.Aircraftresourcecenter.com) for tips on building models. Learn, teach and share pictures of your models at ARCs Discussion forum.

1



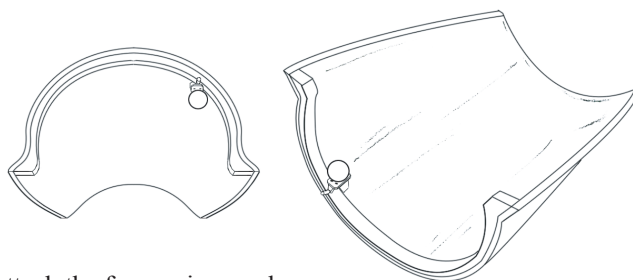
Trim the vacuumformed piece to fit .

2



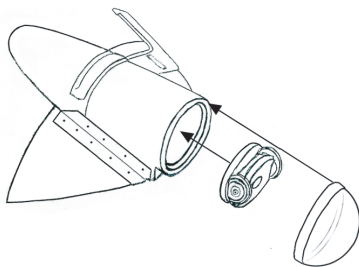
Separate the windscreen from the canopy

3



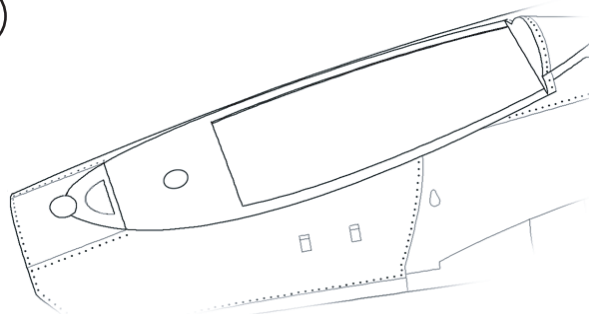
Attach the frame piece and compass to the windscreen.

4



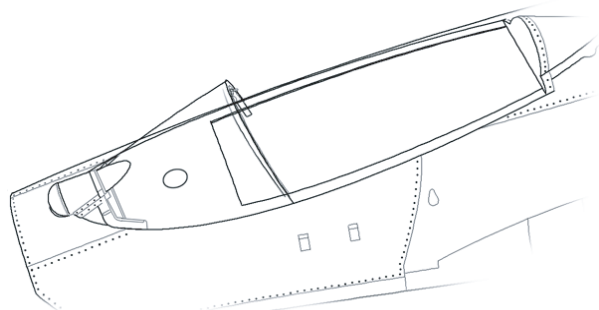
Assemble theIRST using the Trumpeter clear dome with the flange sanded down.

5



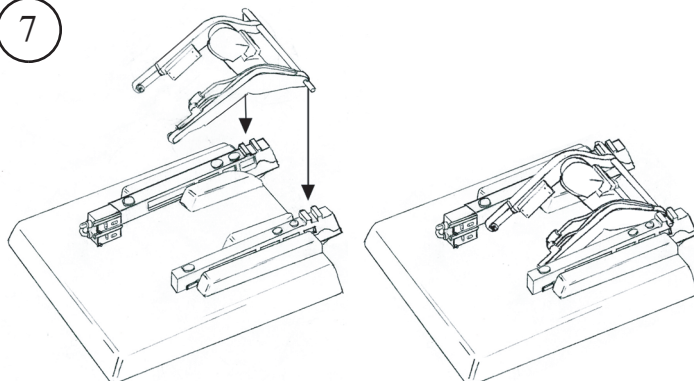
Remove the molded inIRST hump from the fuselage

6



After completing the cockpit and instrument panel coaming (not pictured), attach theIRST and the windscreen assemblies to the fuselage.

7



Place the 2 actuator support arms in the assembly jig. Position and glue the actuator center piece.