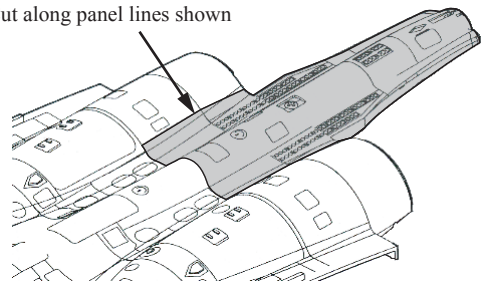


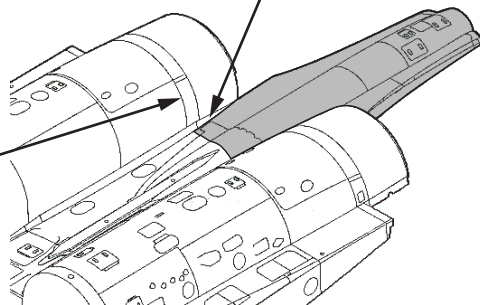
Test fit parts before gluing! Wash parts with warm soapy water before starting. Use Cyano-Acrylate (superglue) to glue parts.  
Use hot water if you need to fix any warps. Lightly sand and prime resin parts before painting. Have fun!  
Check out [WWW.Aircraftresourcecenter.com](http://WWW.Aircraftresourcecenter.com) for tips on building models. Learn, teach and share pictures of your models at ARCs Discussion forum.

Cut along panel lines shown



Do not remove this  
little angled panel

Cut up to this panel line



IFF antenna

.010 X .030 X .152"(3.86mm)

.010 X .030 X .126"(3.2mm)

.010 X .030 X .082"(2.08mm)

